

AVAMIX JUICERS

#928JE700
CONTINUOUS FEED
**HIGH POWER
JUICER**
W/ PULP EJECTION

SEPARATES PULP, SEEDS
& PEELS FROM JUICE!

- 3" Chute Accommodates a Variety of Fruits & Vegetables
- Stainless Steel Body & Motor Housing Prevent Corrosion
- Motor Delivers 3,000 RPM for Outstanding Performance
- Easily Removable Grater & Top Assembly for Cleaning

Width	9 in.
Depth	16 in.
Height	18½ in.
Amps	5.8 Amps
Hertz	60
Phase	1
Voltage	120V
Wattage	700W
Installation Type	Countertop
Power Type	Electric
RPM	3,000
Style	Manual Feed
Type	Continuous Feed
ETL Listed	Yes



Intertek



Intertek

3" Chute Accommodates A Wide Variety of Fruits & Vegetables

Pulp Ejection System Automatically Separates Pulp, Peels & Seeds from the Juice



Entire Top Assembly & Grating Disc Are Easily Removable for Cleaning



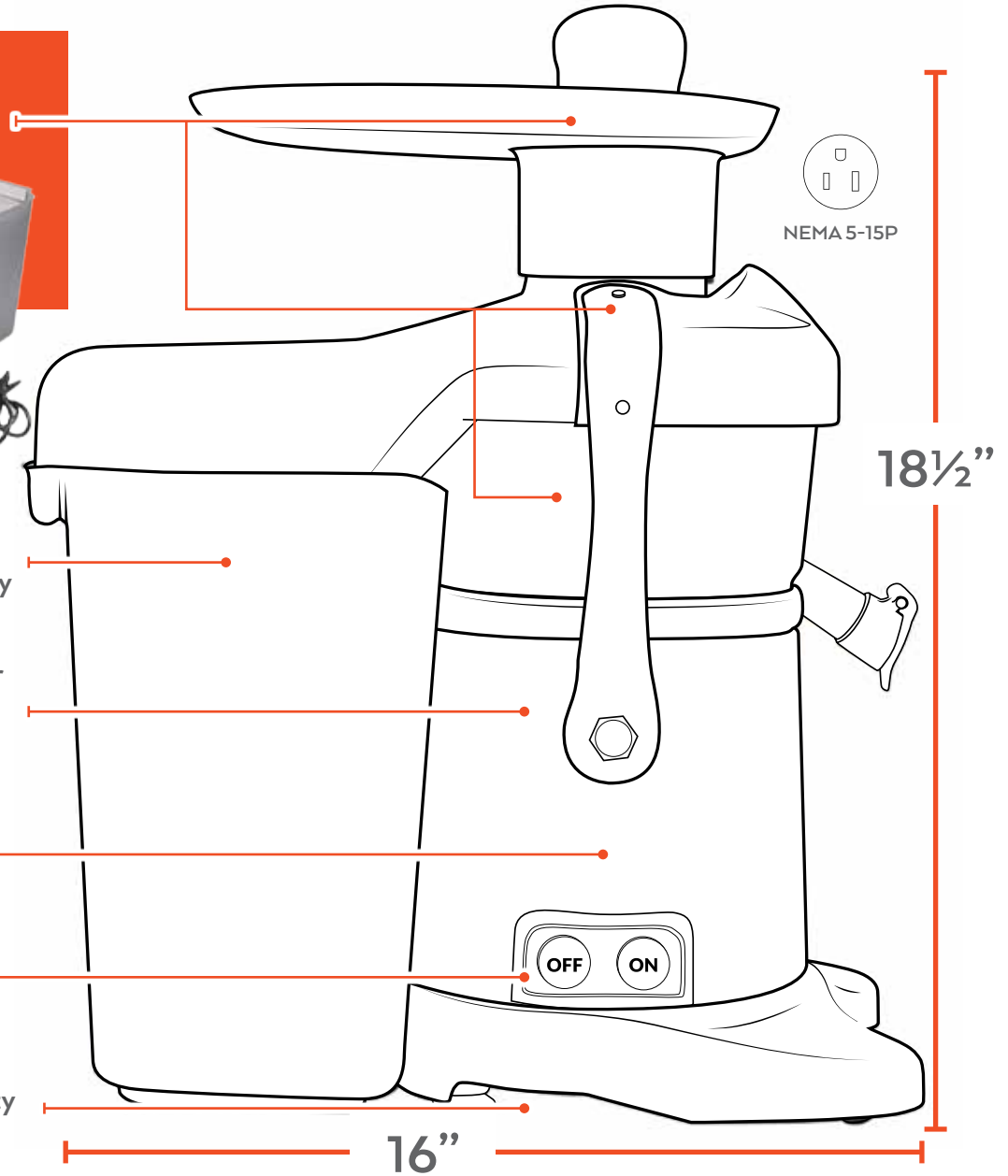
7.5 Qt. Waste Container Collects Pulp & Empties Easily

Stainless Steel Body & Motor Housing Prevent Corrosion from Acidic Juices

Powerful 3000 RPM, 700W Motor

Simple Controls Allow for Easy 1-Hand Operation

Non-Skid Feet Ensure Stability



1 YEAR WARRANTY

All new Avamix juicers used for commercial purpose are warranted against defects in materials and workmanship under normal use and maintenance. This warranty runs for 1 year from the date of original installation and is for the original purchaser only. All other warranties, expressed or implied, statutory or otherwise, including without limitation any implied warranty of merchantability for fitness for purposes are excluded. The seller shall in no event be liable for direct, indirect or consequential damages in connection with Avamix.

*See manual for full list of exclusions